



**BELT
LINK**

888-888-BELT
WWW.BELTLINK.COM

Manufacturers' Representatives



Rob Blum

rob@beltLink.com
(949)637-6797



Mike Carroll

mike@beltLink.com
(805)312-5947



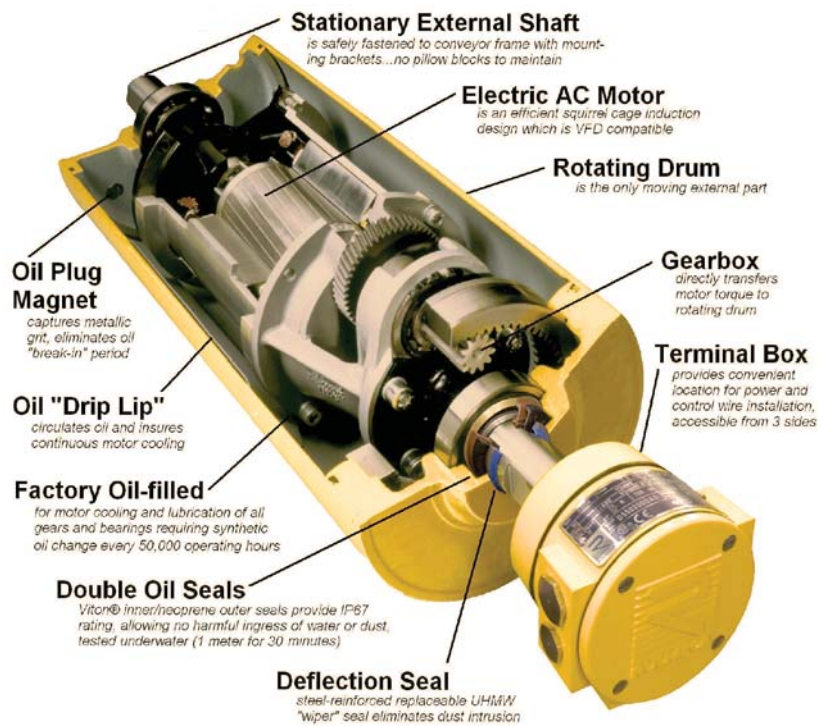
Introducing Motorized Pulleys manufactured by ...



www.rulmecacorp.com

RULMECA

Wilmington, NC (910)794-9264



| Motorized Pulley Product Range | | | |
|--------------------------------|----------|------------|-----------|
| Model | Diameter | HP | RPM |
| 80 | 3.15" | 0.03-0.16 | 12 - 240 |
| 113 | 4.45" | 0.05 - 0.5 | 12 - 350 |
| 138 | 5.45" | 0.33 - 1 | 24 - 300 |
| 165 | 6.49" | 0.5 - 3 | 24 - 768 |
| 220 | 8.50" | 0.5 - 7.5 | 24 - 600 |
| 320 | 12.64" | 1 - 15 | 24 - 600 |
| 400 | 15.75" | 3 - 20 | 38 - 768 |
| 501 | 19.72" | 3 - 40 | 48 - 768 |
| 800 | 31.50" | 30 - 180 | 240-1064 |
| 630 | 24.80" | 7.5 - 75 | 150 - 960 |
| 1000 | 40.16" | 220 - 330 | 600-1320 |